



# Trenton Works 5250 Cu. Ft. Hopper

Announced: August 2021  
Ship by: May 2022  
See website for pricing and details



## FIRST TIME EVER IN HO SCALE!

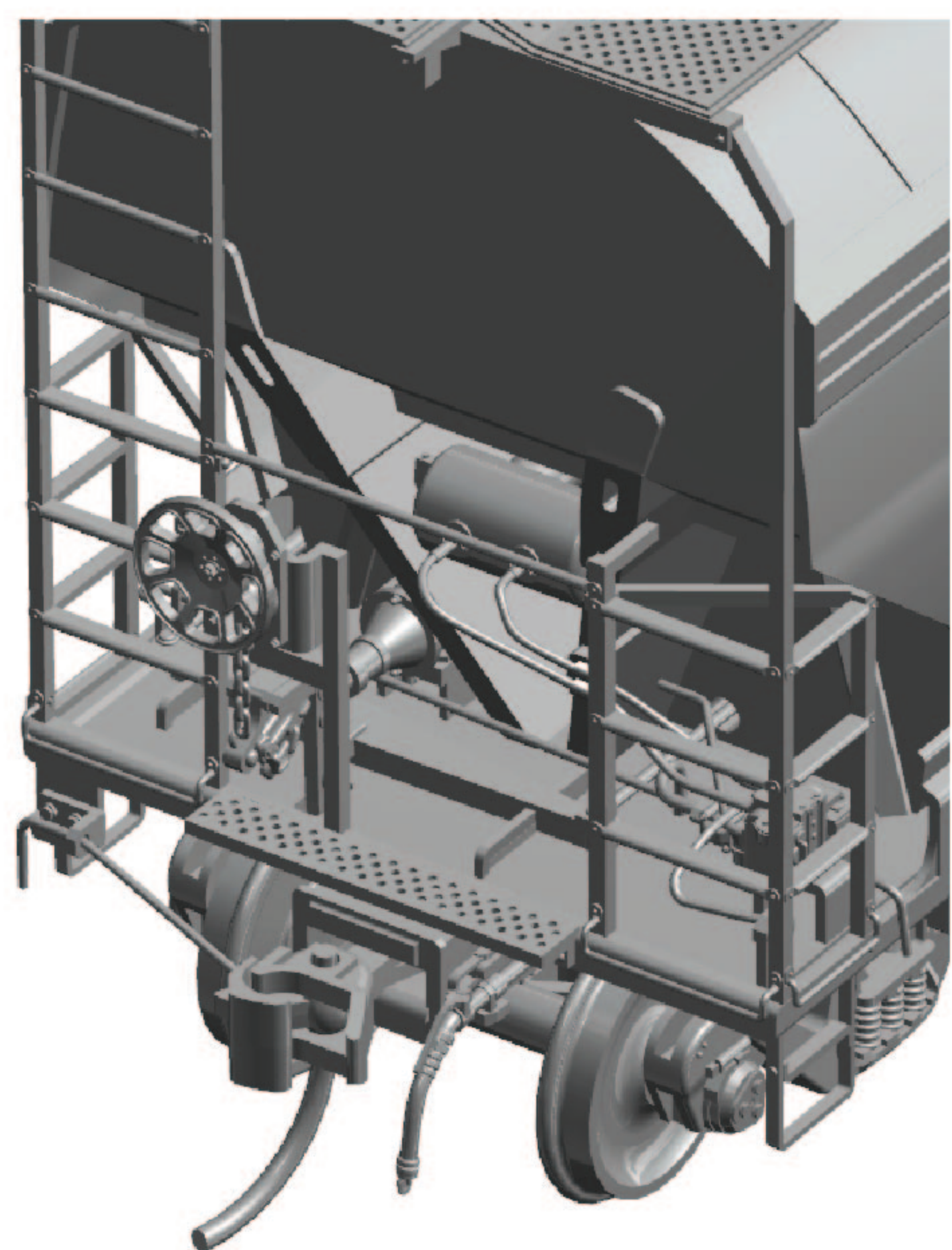
Between 1995 and 1996, Trenton Works out of Nova Scotia built multiple lots of hoppers for Canadian grain service. At that time, these cars held 500 cu. ft. more than the average hopper on the rails. This made them popular for railroads like Canadian National; who built over 1000 of these cars. Besides CN, other companies such as Saskatchewan Wheat Pool built multiple lots of cars that offered the eye-catching POOL paint-scheme. Over the years, these cars changed hands from various owners including Norfolk Southern, FURX, NOKL, and St. Mary's railway. Prairie Shadows is excited to bring this car to the HO Scale market for the first time ever!

We did not design a single variation of this car. In fact, we have a total of over 12 variations of the 5250 with 5 different body styles. These variations include different cage ladders, rivets on the side of the body, high and low "V" reinforcement brackets on the ends, and different outlet gates. The hopper will also have see-thru etched metal walkways, Kadee couplers, and a number of detail parts. These cars ride on Barber S2s including straight back and sway back trucks with metal wheels. See below for detailed information on each variation.



Photo by Keith MacCauley

## PRODUCTION STUDIO RENDERINGS



**PRAIRIE SHADOWS**  
MODEL RAILWAY Co.

Website: <http://www.prairieshadows.com>  
Email: [info@prairieshadows.com](mailto:info@prairieshadows.com)  
Phone: 204-803-7448

# Trenton Works 5250 Cu. Ft. Hopper

## VERSION 01



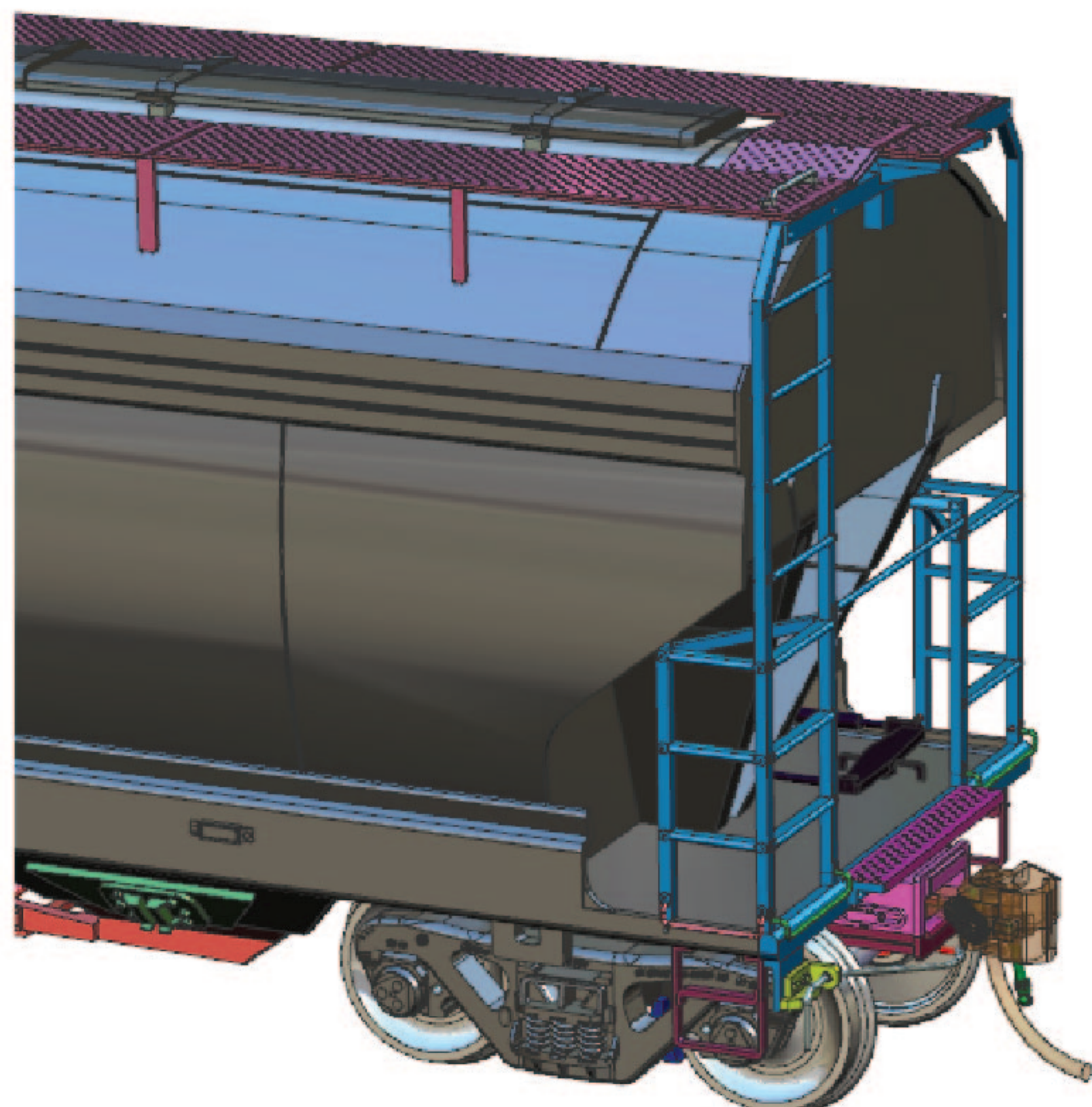
Version 1: CN 388xxx  
End Ladders: Version 1  
Roof: Version 1  
Ends: V1 Lower Angled Reinforcements w/Low "V"  
Trough Hatch: Version 1  
Bays: Vibrating Bracket Pads  
Gates: Toggle/Hylar  
Bolster: Version 1  
Handbrake: Ellcon National  
Train Line: Version 1 (Straight)  
Ladder Rivet/Sill: No/Radius

Version 2: CN 389xxx/CEFX/CHTT  
End Ladders: Version 2  
Roof: Version 2  
Ends: V2 w/High "V"  
Trough Hatch: Version 2  
Bays: Vibrating Bracket Pads  
Gates: Toggle/Holden  
Bolster: Version 2  
Handbrake: Ajax/Ellcon National  
Train Line: Version 2 (Stepped)  
Ladder Rivet/Sill: Yes/Chamfer

## VERSION 02



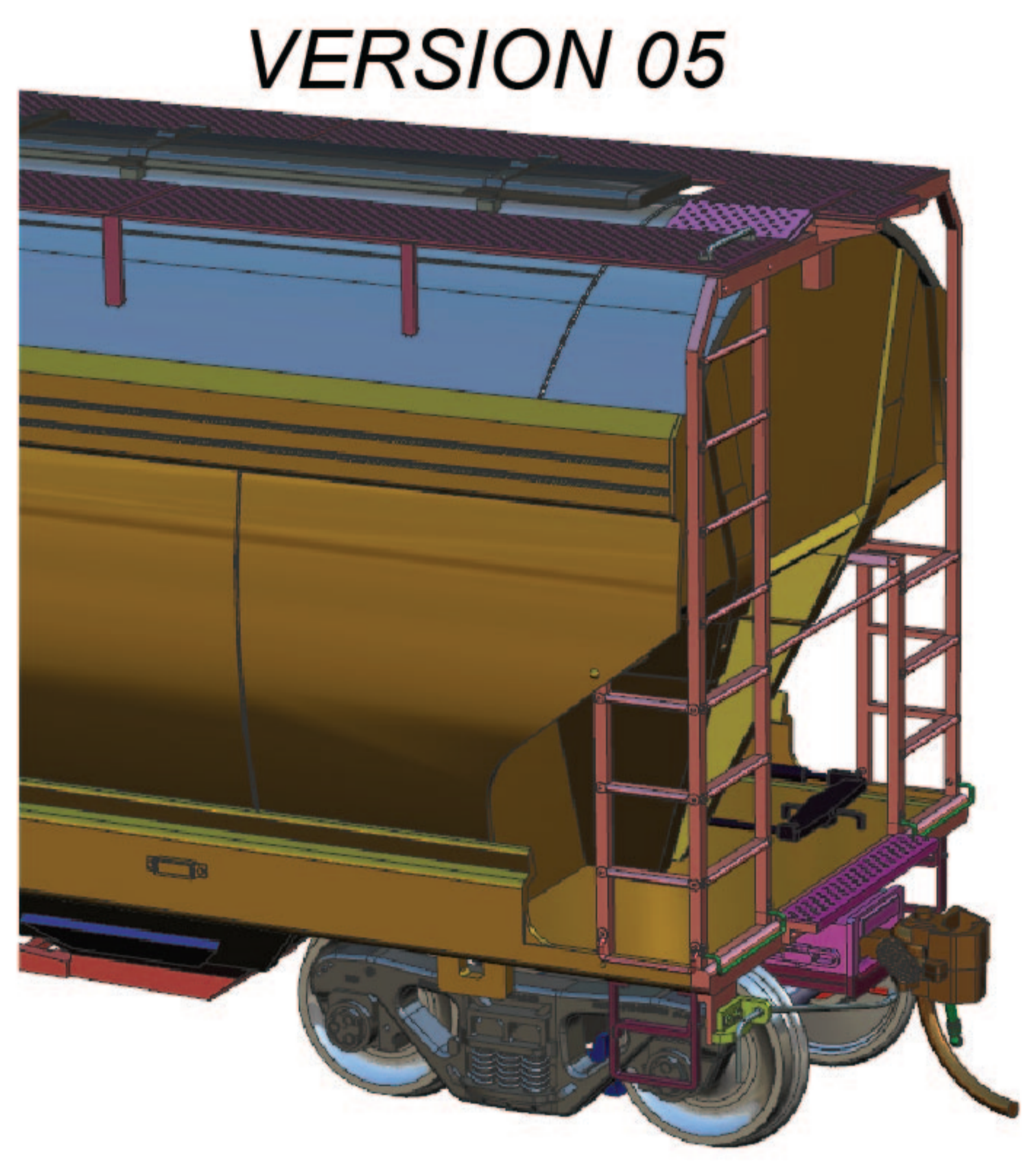
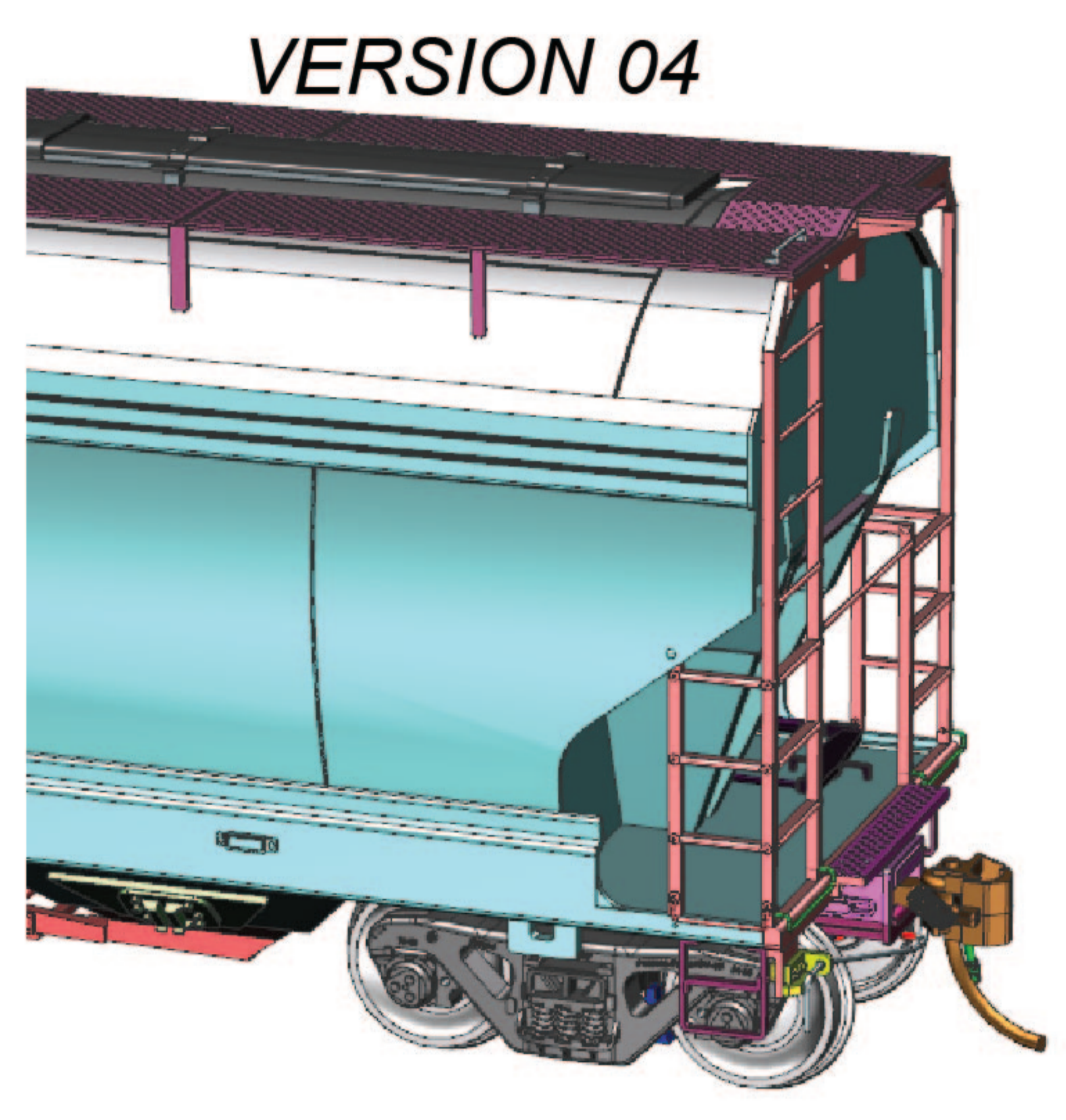
## VERSION 03



Version 3: FURX/WCRC/TEGX/ISRR/CEFX/NS  
End Ladders: Version 3  
Roof: Version 1  
Ends: V1 w/Low "V"  
Trough Hatch: Version 1  
Bays: Vibrating Bracket Pads  
Gates: Toggle  
Bolster: Version 2  
Handbrake: Universal  
Train Line: Version 1 (Straight)  
Ladder Rivet/Sill: No/Radius

# Trenton Works 5250 Cu. Ft. Hopper

**Version 4: FURX/SMW/NS/NDYX/CEFX**  
**End Ladders: Version 3**  
**Roof: Version 1**  
**Ends: V1 w/Low "V"**  
**Trough Hatch: Version 1**  
**Bays: Vibrating Brackets**  
**Gates: Toggle/Holden**  
**Bolster: Version 2**  
**Handbrake: Universal**  
**Train Line: Version 1 (Straight)**  
**Ladder Rivet/Sill: Yes/Radius**



**Version 5: PLMX/UMP/CMO/FURX/NOKL/NS/WCRC/CHTT/CEFX**  
**End Ladders: Version 2**  
**Roof: Version 1**  
**Ends: V2 w/High "V"**  
**Trough Hatch: Version 1**  
**Bays: Vibrating Brackets and Pads**  
**Gates: Toggle/Holden**  
**Bolster: Version 2**  
**Handbrake: Ajax**  
**Train Line: Version 1 (Straight)**  
**Ladder Rivet/Sill: Yes/Radius**

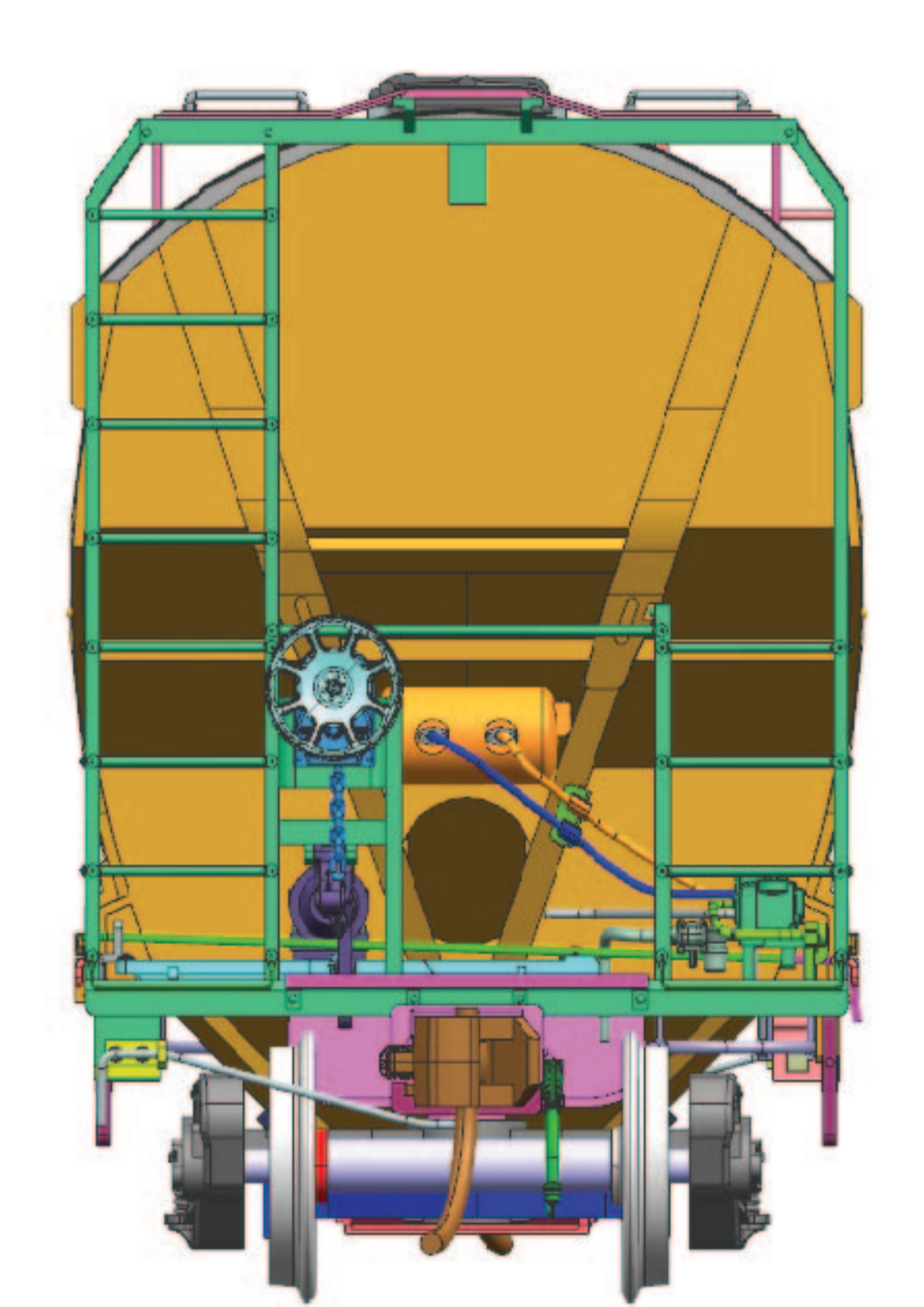
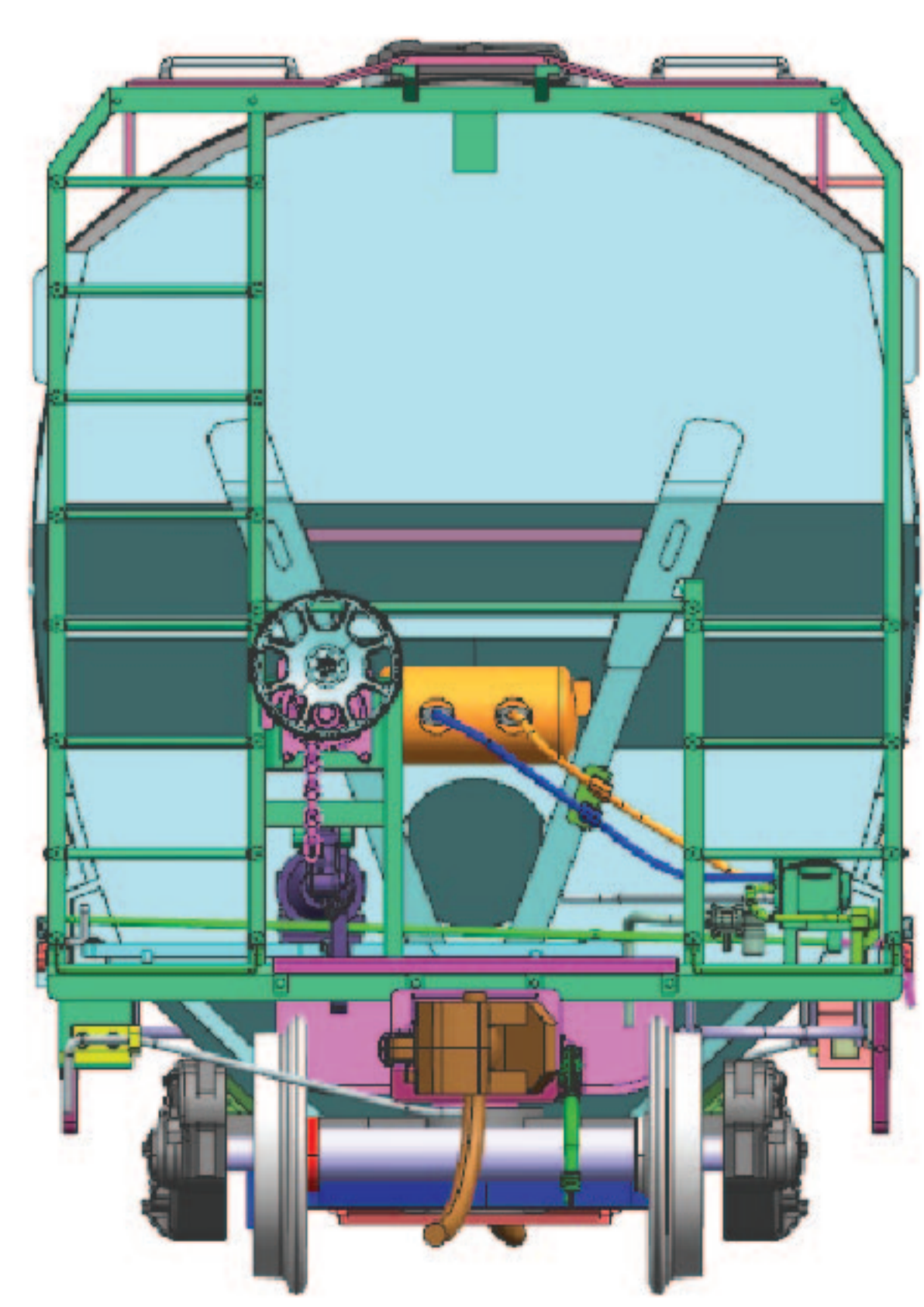
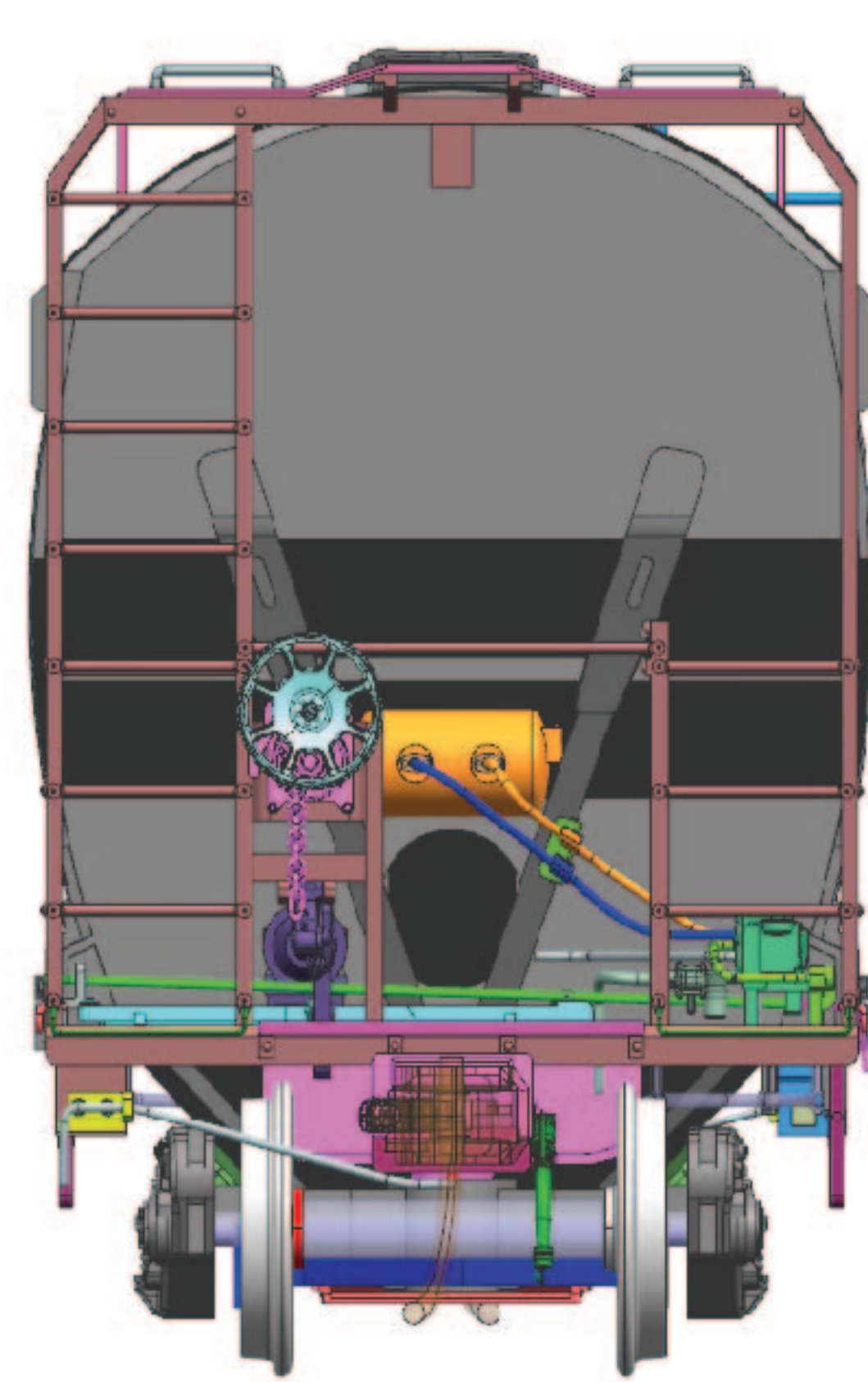
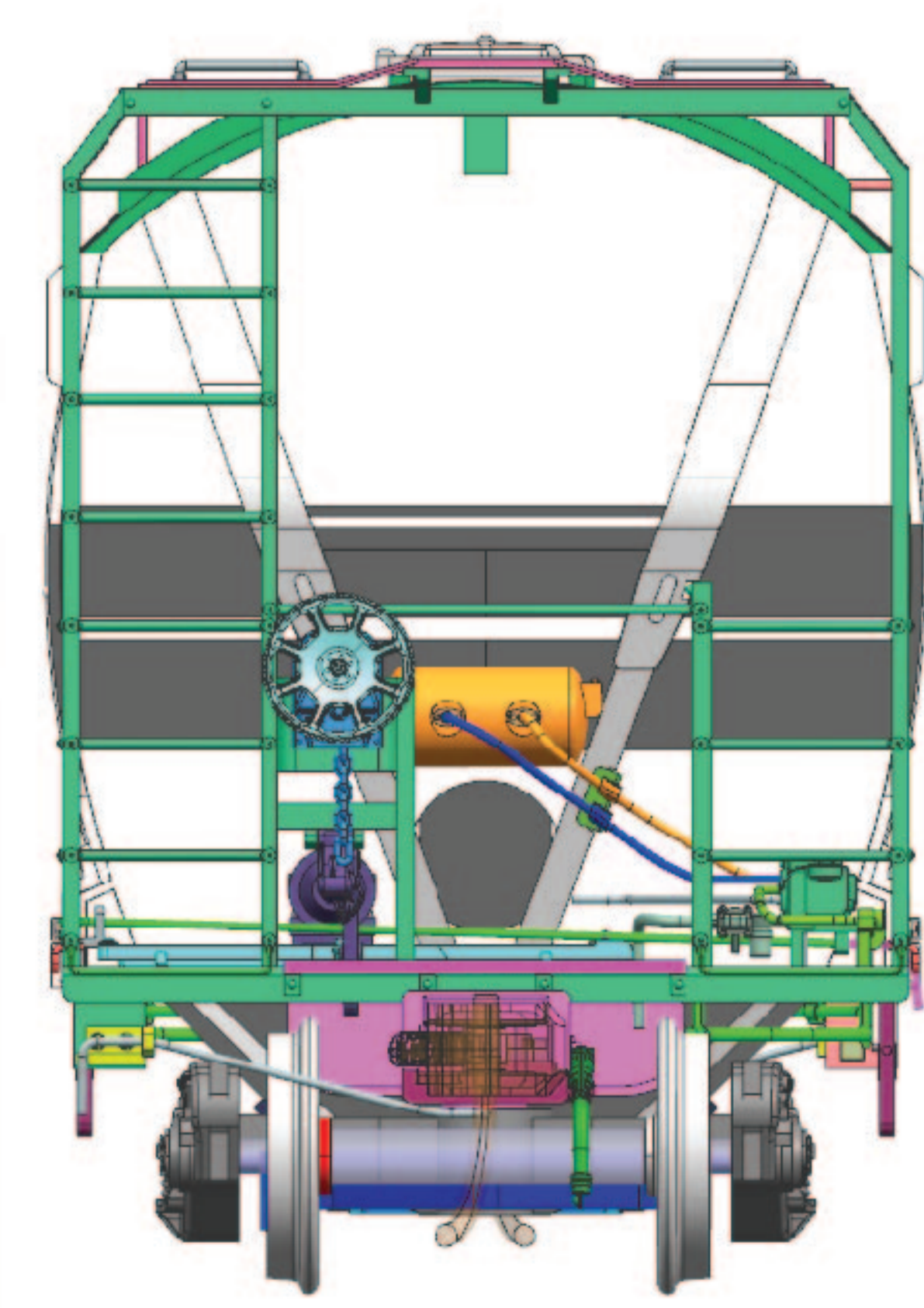
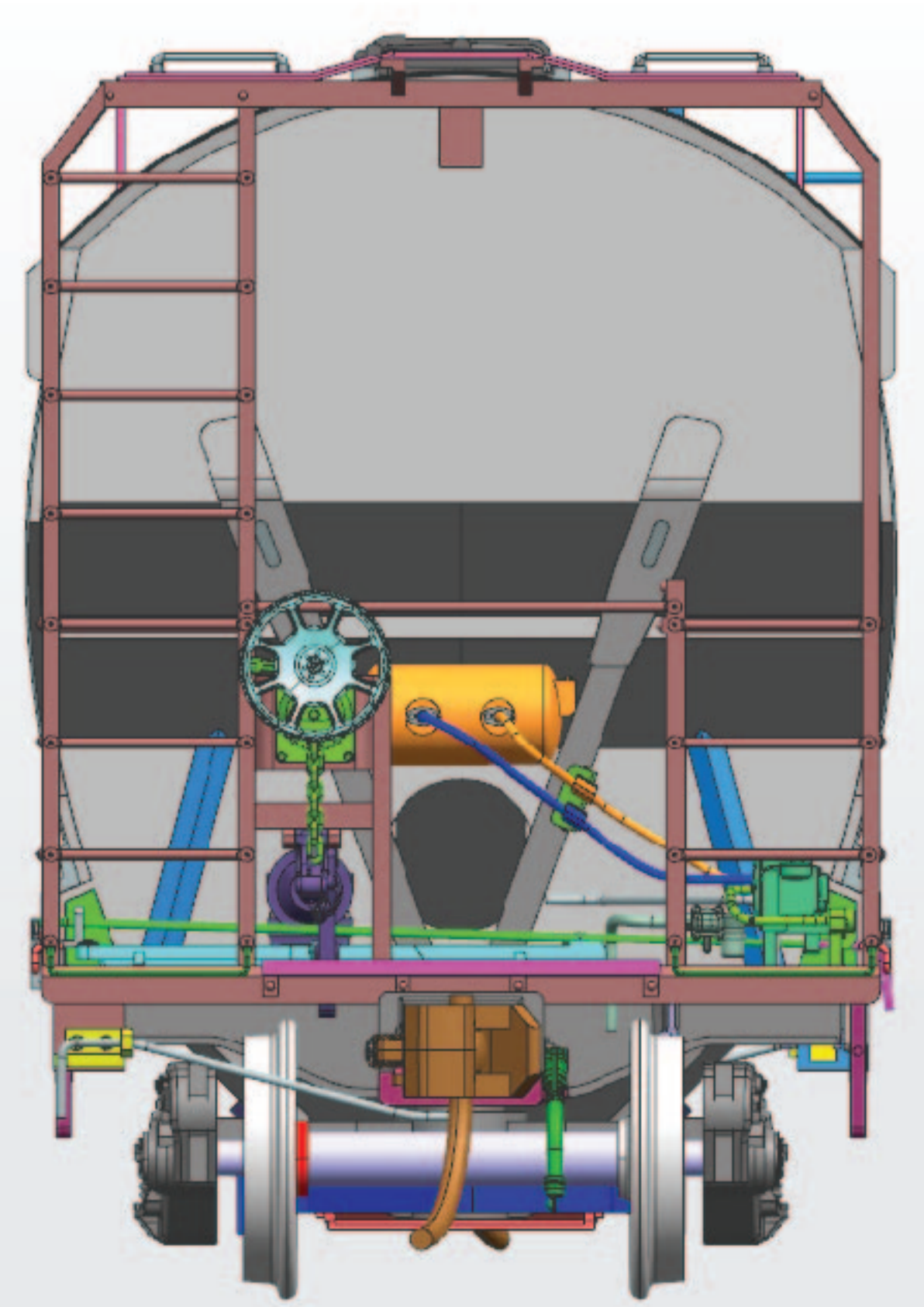
**VERSION 1**

**VERSION 2**

**VERSION 3**

**VERSION 4**

**VERSION 5**





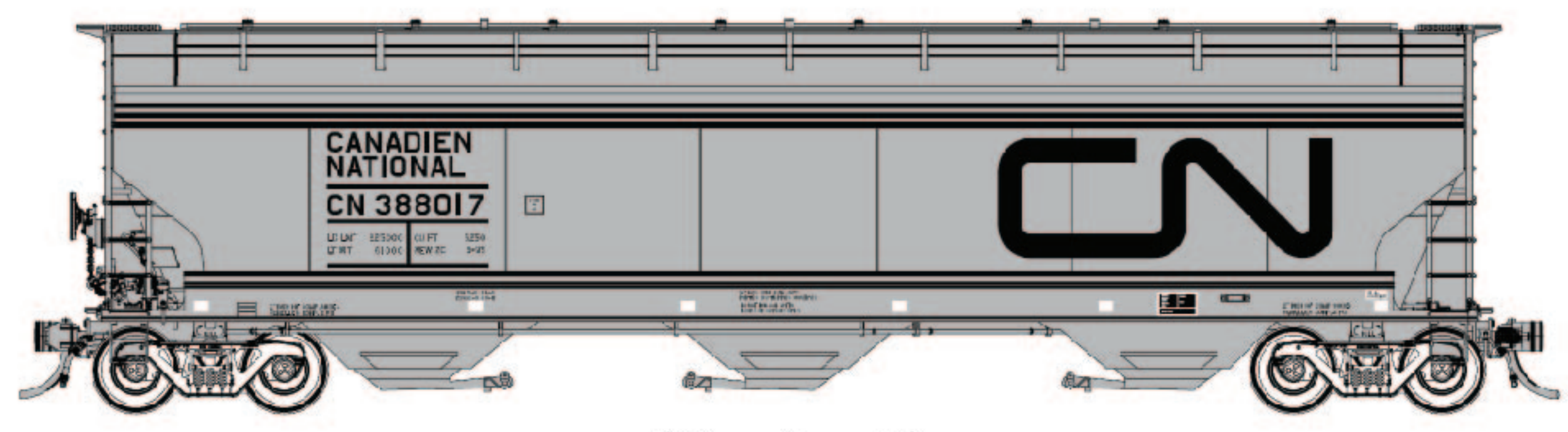
# Trenton Works 5250 Cu. Ft. Hopper

Announced: August 2021  
Ship by: May 2022  
See website for pricing and details

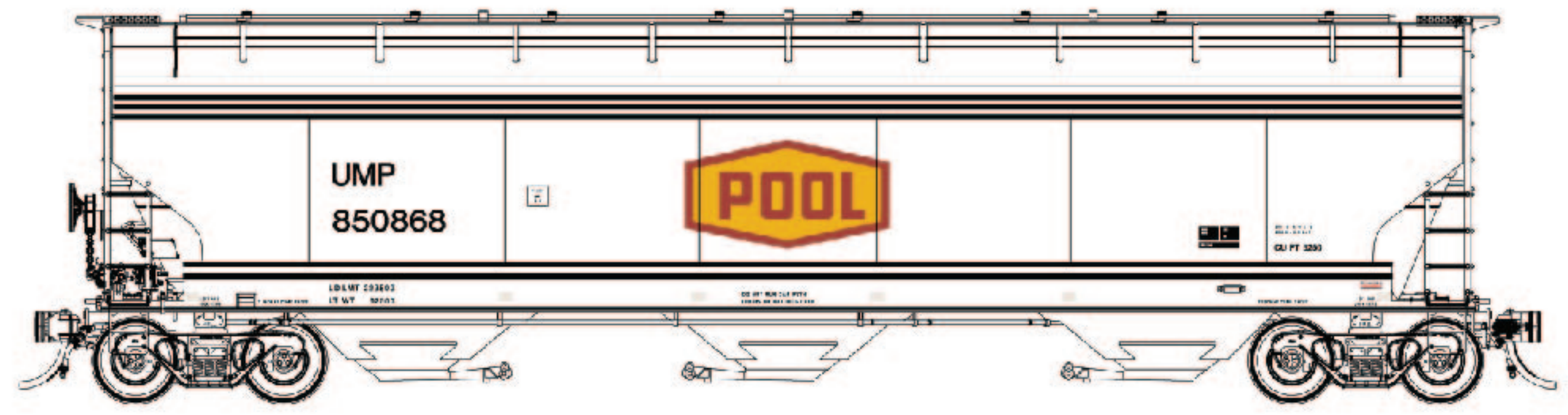


## Our car features:

- Five Body Variations
- Three Outlet Gate Variations: (Toggle-Lock, Holden, Hylar)
- Three Handbrake Variations: (Universal, Ajax, Ellcon National)
- Two Styles of Trough Hatches
- Two Different End Frame Ladders
- Two Variations of Train Brake Lines
- 36" CNC Metal Wheels
- Etched Roof Walks and Crossover Platforms
- Separately Applied Grab Irons
- Two Styles of Trucks: (Barber S2 Sway, Barber S2 Straight Back)
- Cutlevers
- Full Endcage Details
- Kadee 158 Scale Couplers



(Version 1)  
As Delivered CN  
388000 - 388250



(Version 5)  
Saskatchewan Lease / POOL

Part #	Car #	Quantity
PS8011A01-01	CN 388026	
PS8011A01-02	CN 388033	
PS8011A01-03	CN 388040	
PS8011A01-04	CN 388072	
PS8011A01-05	CN 388107	
PS8011A01-06	CN 388112	
PS8011A01-07	CN 388126	
PS8011A01-08	CN 388132	
PS8011A01-09	CN 388146	
PS8011A01-10	CN 388160	
PS8011A01-11	CN 388178	
PS8011A01-12	CN 388195	

Part #	Car #	Quantity
PS8015B03-01	UMP 850722	
PS8015B03-02	UMP 850726	
PS8015B03-03	UMP 850759	
PS8015B03-04	UMP 850799	
PS8015B03-05	UMP 850837	
PS8015B03-06	UMP 850850	

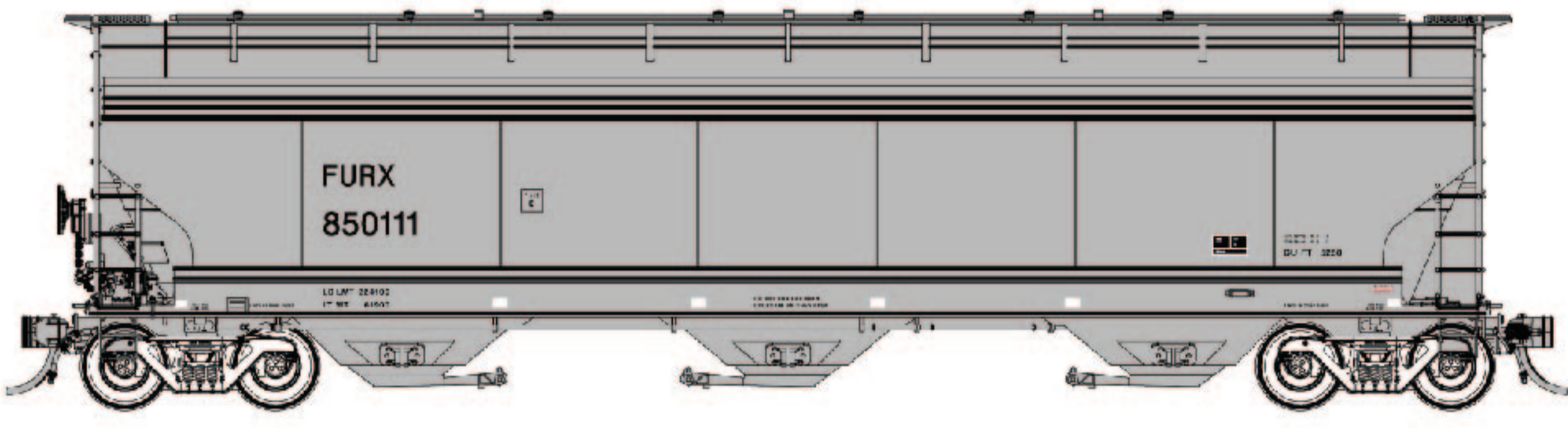


Website: <http://www.prairieshadows.com>  
Email: [info@prairieshadows.com](mailto:info@prairieshadows.com)  
Phone: 204-803-7448



# Trenton Works 5250 Cu. Ft. Hopper

Announced: August 2021  
Ship by: May 2022  
See website for pricing and details



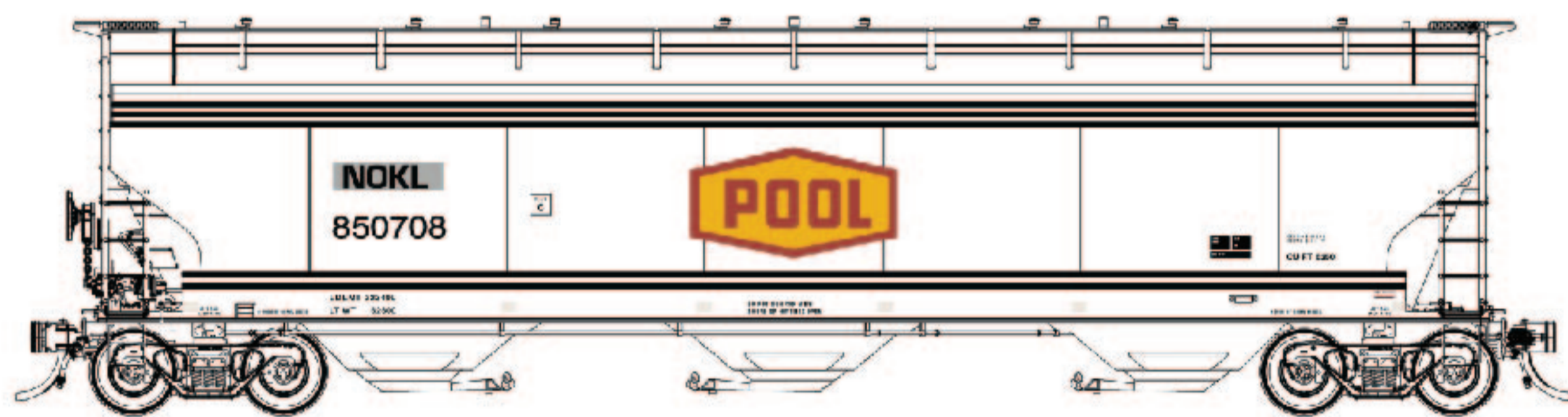
(Version 4)  
**First Union Rail**

Part #	Car #	Quantity
PS8014A04-01	FURX 850111	
PS8014A04-02	FURX 850142	
PS8014A04-03	FURX 850161	
PS8014A04-04	FURX 850295	
PS8014A04-05	FURX 850396	
PS8014A04-06	FURX 850460	



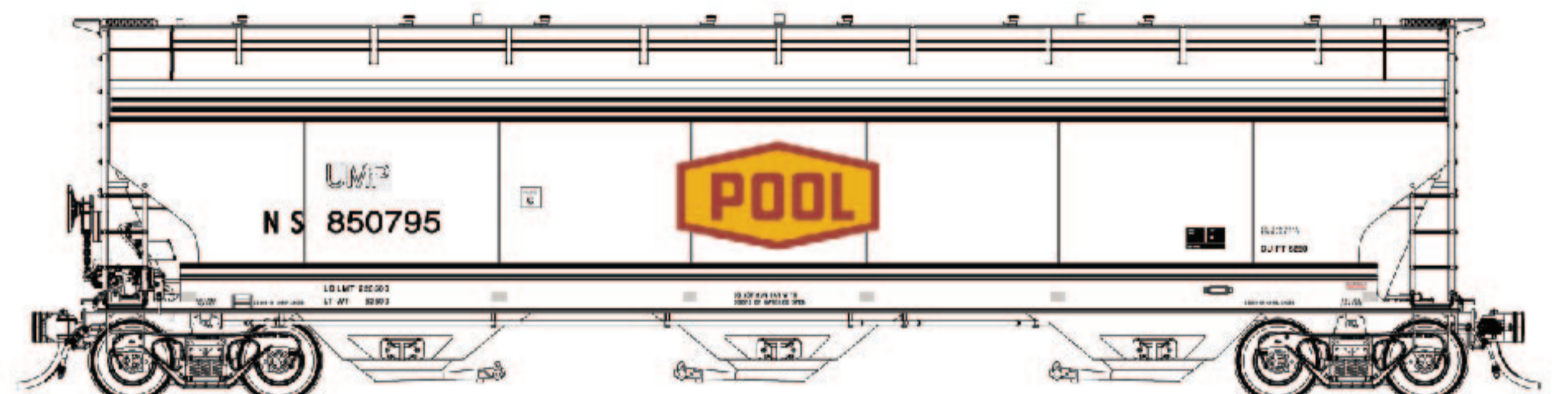
(Version 5)  
**Prairie Malt Limited**

Part #	Car #	Quantity
PS8015B02-01	PMLX 1001	
PS8015B02-02	PMLX 1006	
PS8015B02-03	PMLX 1007	
PS8015B02-04	PMLX 1009	
PS8015B02-05	PMLX 1010	
PS8015B02-06	PMLX 1024	



(Version 5)  
**Northwest Oklahoma / EX-POOL**

Part #	Car #	Quantity
PS8015B06-01	NOKL 850708	
PS8015B06-02	NOKL 850723	
PS8015B06-03	NOKL 850730	
PS8015B06-04	NOKL 850732	
PS8015B06-05	NOKL 850744	
PS8015B06-06	NOKL 850746	



(Version 5)  
**Norfolk Southern / EX-POOL**

Part #	Car #	Quantity
PS8015B05-01	NS 850770	
PS8015B05-02	NS 850795	
PS8015B05-03	NS 850807	
PS8015B05-04	NS 850840	
PS8015B05-05	NS 850845	
PS8015B05-06	NS 850895	

See website for pricing and details